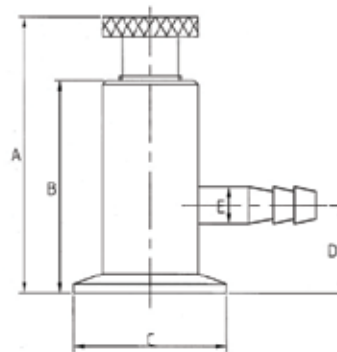
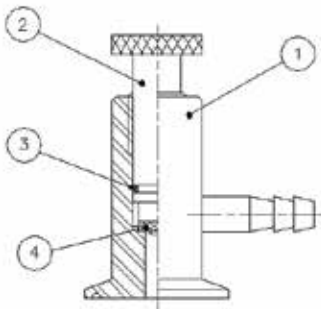


## Stainless steel clamp end Sampling Valve

### Sanitary Line

#### Features

- Sampling valve sanitary line
- Clamp ends in inches (**BS 4825-3**)
- Made by **AISI 316L**
- Silicone seat
- Easy cleaning and assembly
- Sanitary Polish **Ra ≤ 0.8 μm**
- Max. Working pressure **10Kg/cm<sup>2</sup>**
- Max. Working Temperature **120°C**



| N° | NAME     | MATERIAL                  | SURFACE TREATMENT |
|----|----------|---------------------------|-------------------|
| 1  | Body     | Stainless Steel AISI 316L | Mechanical Polish |
| 2  | Stem     | Stainless Steel AISI 316L | Mechanical Polish |
| 3  | O ' ring | NBR                       | —                 |
| 4  | Seat     | Silicone                  | —                 |

#### General Dimensions

##### DIMENSIONS (mm)

| REF       | SIZE       | DN | A    | B  | C    | D  | E  | WEIGHT (Kg) |
|-----------|------------|----|------|----|------|----|----|-------------|
| 822951 06 | 1"- 1 1/2" | 25 | 91.5 | 70 | 50.5 | 29 | 12 | 0,550       |

SealingSystems

19 Perissou St. 14 343 N.Chalkidona  
Athens Greece

Tel. 030 - 2108312002

e-mail: [info@sealingsystems.gr](mailto:info@sealingsystems.gr)

[www.sealingsystems.gr](http://www.sealingsystems.gr)