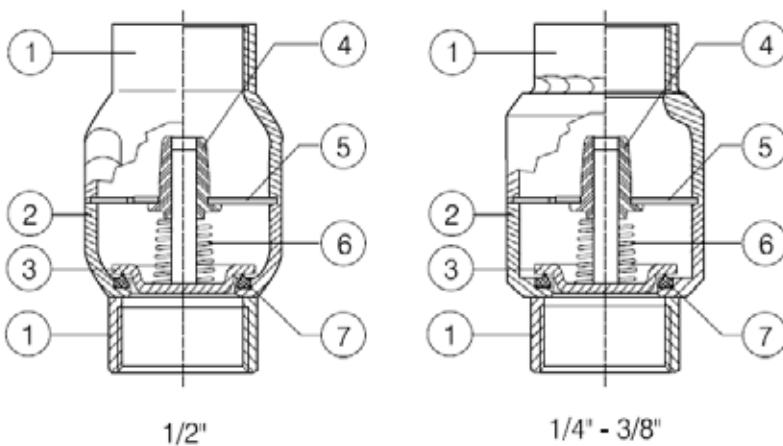
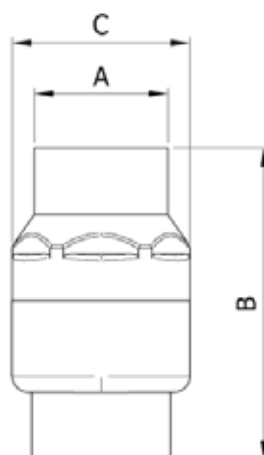


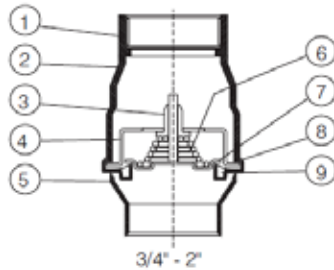
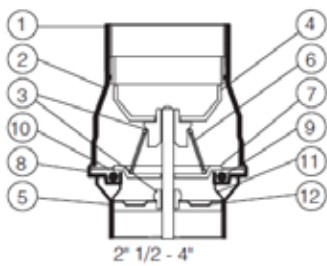
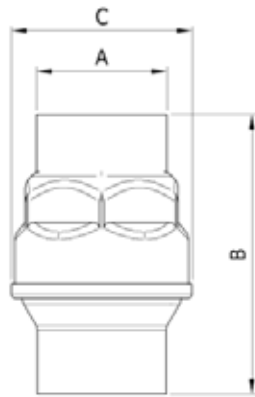
Disk Check valve, threaded ends

- Guided Disk Check valve.
- Made of Stainless Steel 1.4404 (AISI 316L).
- FPM seat (Viton).
- Threaded ends according to ISO 228-1.
- TIG welding without any additional material.
- Opening pressure Min. 0.025 Bar / Max. 0.035 Bar.
- Max. Working pressure 16 bar.
- Not recommended for fluids that produce excessive vibrations (air, gas, steam,...).
- Not suitable for use in vacuum.
- Working temperature -20 °C + 150 °C.



Nº	NAME	MATERIAL
1	Threaded ends	Stainless Steel 1.4404 (AISI 316L)
2	Body	Stainless Steel 1.4404 (AISI 316L)
3*	Disc	Stainless Steel 1.4404 (AISI 316L)
4	Guide Bush	PTFE
5	Guide Bush Support	Stainless Steel 1.4401 (AISI 316)
6	Spring	SS 316
7	Seal ring	FPM

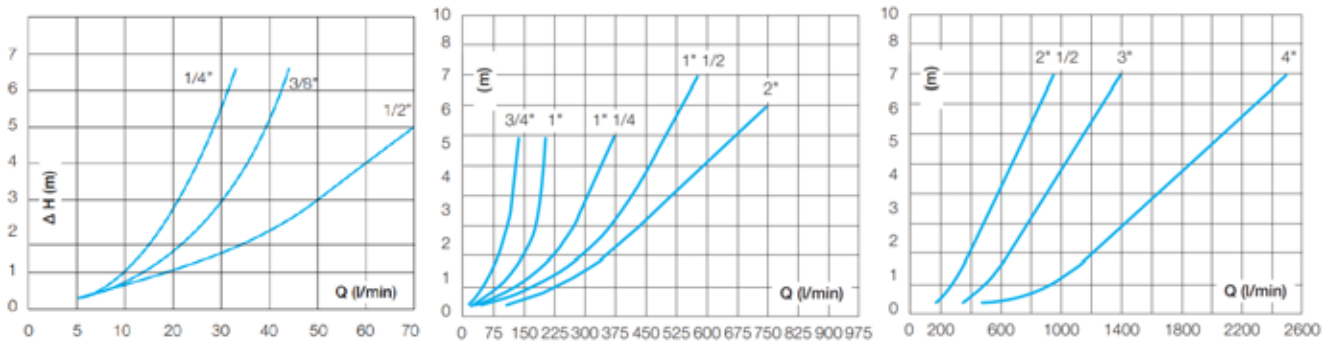




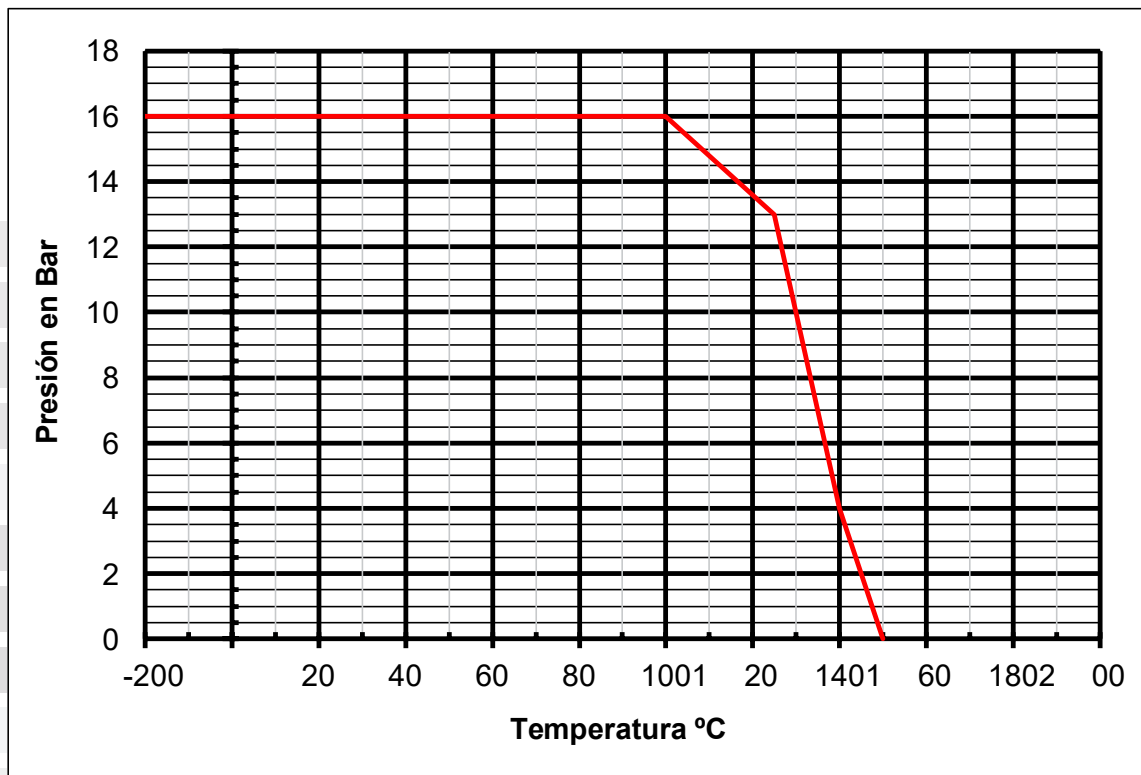
Nº	NAME	MATERIAL
1	Threaded ends	Stainless Steel 1.4404 (AISI 316L)
2	Body	Stainless Steel 1.4404 (AISI 316L)
3*	Guide Bush	PTFE
4	Guide Bush Support	Stainless Steel 1.4404 (AISI 316L)
5	Threaded ends	Stainless Steel 1.4404 (AISI 316L)
6	Spring	SS 316
7	Disc	Stainless Steel 1.4404 (AISI 316L)
8	Seal ring Housing	Stainless Steel 1.4404 (AISI 316L)
9	Seal ring	FPM
10	Seal Ring retainer	Stainless Steel 1.4404 (AISI 316L)
11	Seal ring Support	Stainless Steel 1.4404 (AISI 316L)
12	Outlet side guide	Stainless Steel 1.4404 (AISI 316L)

REF.	SIZE	PN	Dimensions (mm)			Kv (m3/h)	Weight (Kg)
			A	B	C		
V007BC1-100V-I54	1/4"	16	20	55	32	2,5	0,105
V010BC1-100V-I54	3/8"	16	20	55	32	3,2	0,091
V015BC1-100V-I54	1/2"	16	25	55	32	6	0,095
V020BC1-100V-I54	3/4"	16	30	67	44	10,8	0,129
V025BC1-100V-I54	1"	16	36	83	53	18,7	0,191
V032BC1-100V-I54	1 1/4"	16	45	97	62	31,5	0,281
V038BC1-100V-I54	1 1/2"	16	51	115	78	40,5	0,388
V051BC1-100V-I54	2"	16	63	121	89	56	0,704
V063BC1-100V-I54	2 1/2"	16	80	141	113	69	1,425
V076BC1-100V-I54	3"	16	93	164	132	99	2,085
V100BC1-100V-I54	4"	16	120	191	167	181	3,415

HEAD LOSS DIAGRAMS



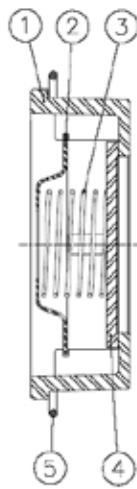
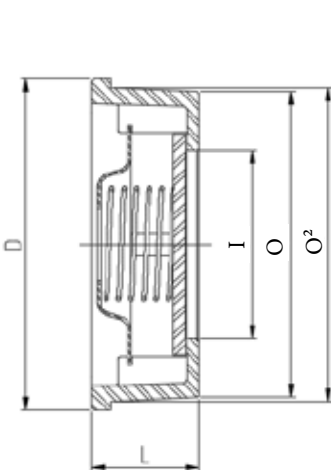
PRESSURE TEMPERATURE RATING



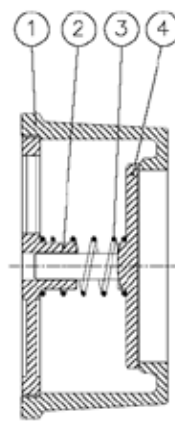
WAFER TYPE DISK CHECK VALVE

FEATURES

- Wafer check valve, single disk.
- Made of stainless steel 1.4408 (CF8M).
- Disk made of stainless steel 1.4408 (CF8M).
- Spring made of AISI 316.
- Small dimensions.
- Assembly between flanges EN 1092 PN10/16/25/40 and ANSI 150/300.
- Installed with vertical, horizontal or inclined flow.
- Centering Ring.
- Face to Face according to EN 558-1 S.49.
- Max. Working pressure 40/25 bar (see table).
- Low head loss.
- Working Temperature -20°C +240°C.



DN15~DN100 D



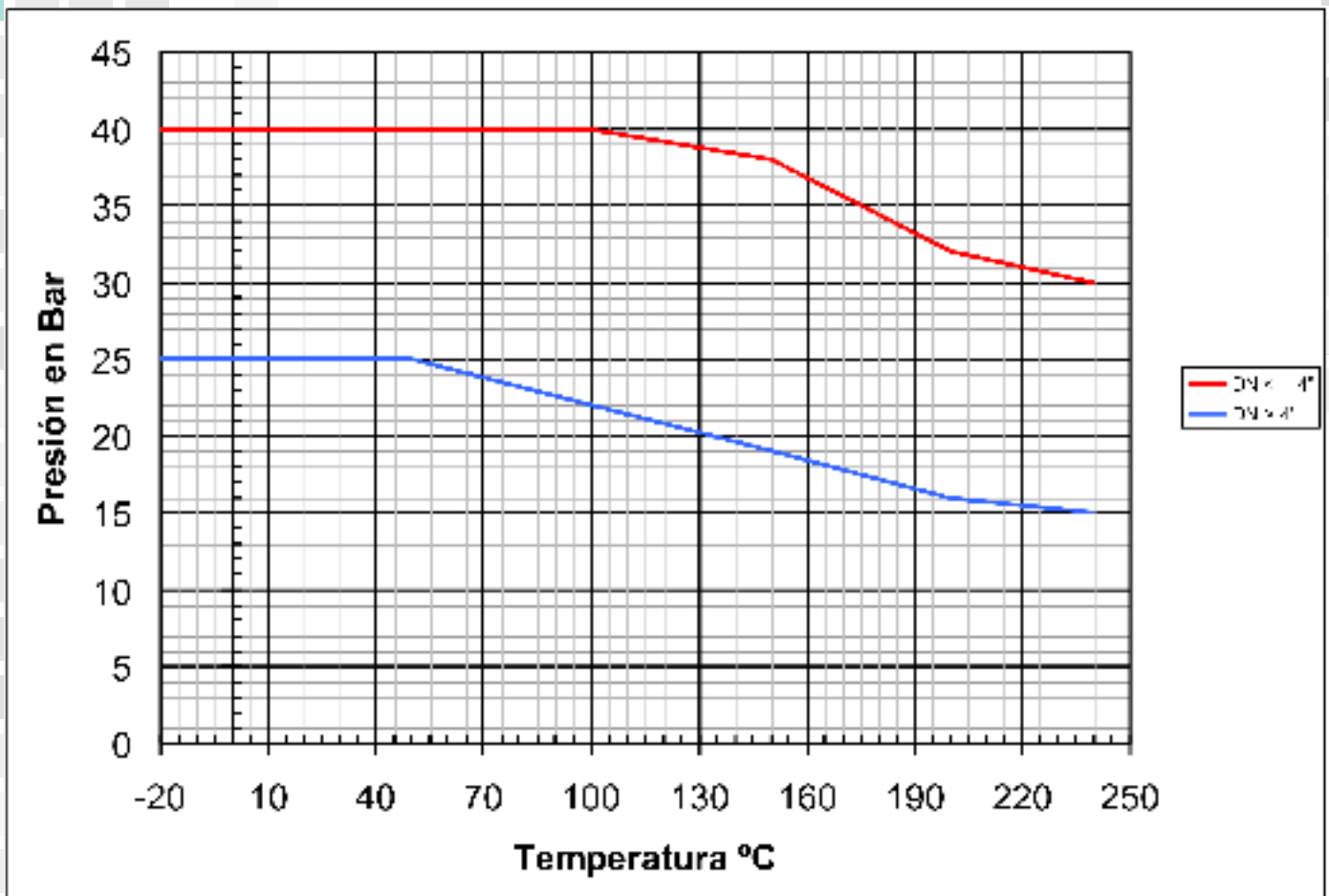
N125~DN200

Nº	NAME	MATERIAL	SURFACE TREATMENT	SPARE PART CODE
1	Body	Stainless Steel 1.4408	Shot blasting	-
2	Spring Support	Stainless Steel AISI 316	-	-
3*	Spring	Stainless Steel AISI 316	-	K2415
4	Disk	Stainless Steel 1.4408	Polishing	-
5	Centering Ring (1/2" - 4")	Stainless Steel	-	K2415

* Available spare parts.

REF.	SIZE	DN	PN	D Dimensions (mm) L					Weight (Kg)
				D	O ²	I	O	L	
V015FC1-9000-I00	1/2"	15	40	39	34	15	33	16	0,085
V020FC1-9000-I00	3/4"	20	40	46	41	20	40	19	0,122
V025FC1-9000-I00	1"	25	40	54	49	25	47,5	22	0,198
V032FC1-9000-I00	1 1/4"	32	40	70	62	32	59,5	28	0,380
V038FC1-9000-I00	1 1/2"	40	40	81	71	40	68	32	0,520
V051FC1-9000-I00	2 "	50	40	94	85	48	81,5	40	0,775
V065FC1-9000-I00	2 1/2 "	65	40	113	102	62	97	46	1,240
V076FC1-9000-I00	3 "	80	40	132	123	75	117,5	50	1,865
V100FC1-9000-I00	4 "	100	40	150	140	95	134,5	60	2,650
V125FC1-9000-I00	5 "	125	25	187	177	118	169	90	5,500
V150FC1-9000-I00	6 "	150	25	217	205	140	196	106	8,300
V200FC1-9000-I00	8 "	200	25	274	261	185	245,5	140	16,100

PRESSURE TEMPERATURE RATING

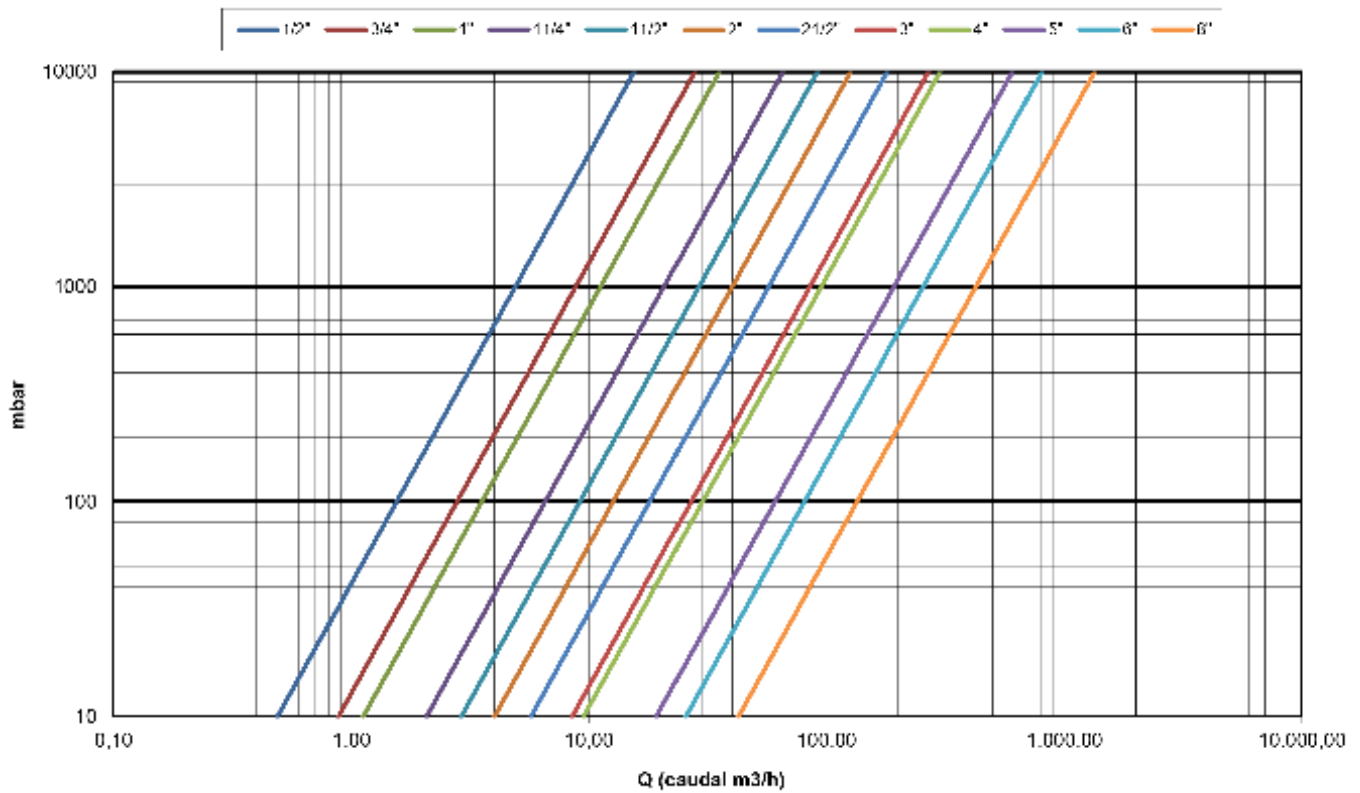


Kv VALUES

Kv = Flow rate of water in cubic meter per hour (m³/h) that will generate a pressure drop of 1 bar across the valve.

1/2" DN15	3/4" DN20	1" DN25	1 1/4" DN32	1 1/2" DN40	2" DN50	2 1/2" DN65	3" DN80	4" DN100	5" DN125	6" DN150	8" DN200
4,9	8,8	11,2	20,7	29	40	57	85	95	192	255	425

HEADLOSS CHART CHECK VALVE 2415



OPENING PRESSURE (mbar)

Flow	DN15 ~ DN65	DN80 ~ DN100	DN125-DN200
↑ → ↓	24 ~ 30	20 ~ 26	30 ~ 36