

Aseptic Sampling Valve

DESCRIPTION

Aseptic Sampling Valve is designed for sterilization before and after each sampling. The manual valve is opened by rotating the handle (adjustable valve) or by activating the lever (on/off valve). The stem and the membrane are then retracted, allowing liquid to pass.

Using the reverse procedure the built-in spring closes the valve, keeping the channel between the hose pieces open for sterilization. If using steam a small pressure relief valve (optional) on the outlet is recommended.

Aseptic Sampling valve consists of three parts, a valve body, a valve head and a membrane. The rubber membrane is placed on the stem of the valve head and works as a stretchable plug. The valve bodies and valve heads are interchangeable. The valve body is supplied with either welding end for tank, welding end for pipe, with clamp end or with thread.



ADDITIONAL INFO

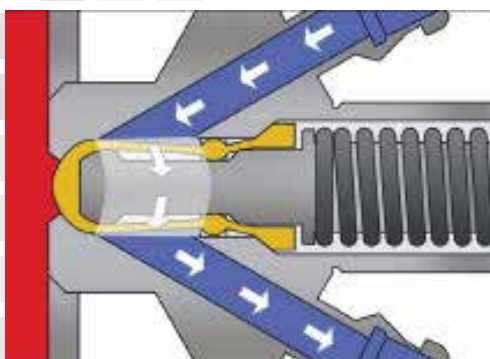
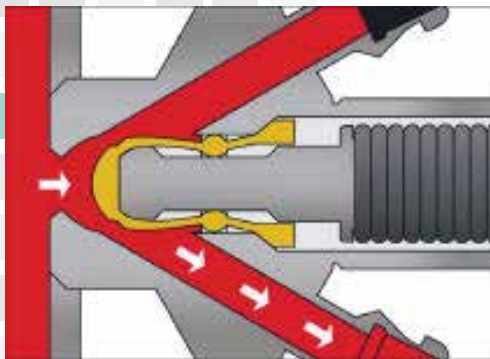
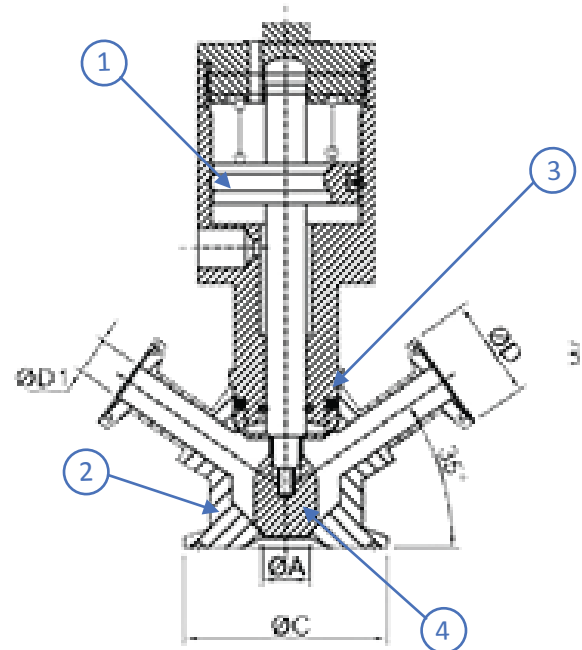
Size Range: 3/4" - 1 1/2"

Temperature Range: -35° C to 400° C

Body Materials: Stainless Steel

Seat Materials: Silicone (optional for PTFE, EPDM, Fluorine rubber)

Applications: Food, Beverage, Pharmaceutical, Chemical industries



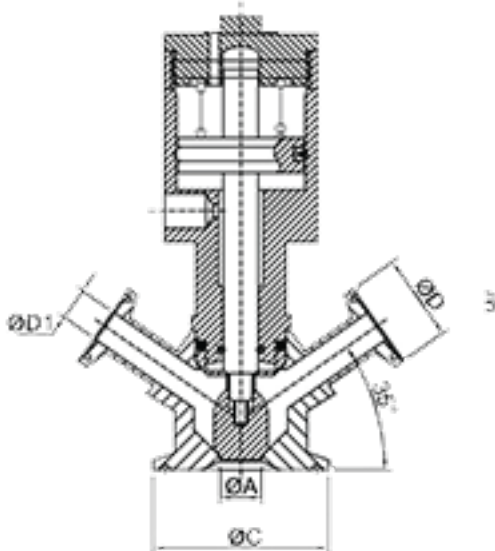
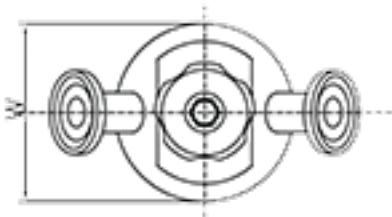
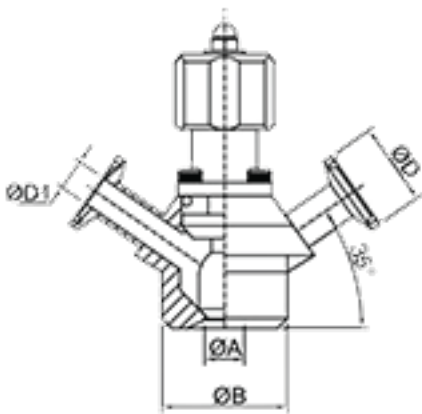
COMPONENTS & MATERIALS

POS.	Designation	Material
1	Pneumatic Head	304 SS / 316 SS
2	Valve Body	304 SS / 316 SS
3	Seal Ring	Silicon / Food Grade Buna-N / Food Grade PTFE / Food Grade EPDM / Food Grade
4	Bellow	PTFE

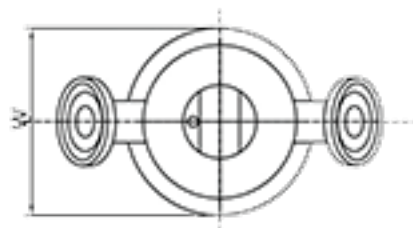
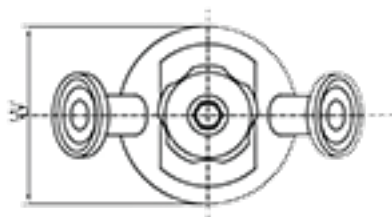
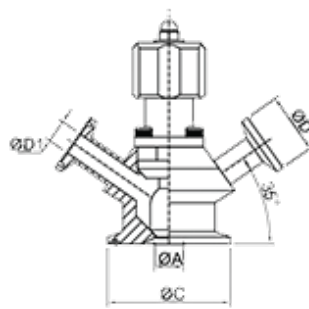
SIZE	A		B		C		D		D1		E		F		O		W	
	in	mm	in	mm	in	mm	in	mm	in	mm	in	mm	in	mm	in	mm	in	mm
3/4"	0.24	6	0.75	19.5	0.99	25.2	0.99	25.2	0.20	5							1.52	38.5
1 1/2"	0.47	12	1.50	38.1	1.99	50.5	0.99	25.2	0.37	9.4	3.35	85	3.74	95	1.73	44	2.11	53.7

Available Types

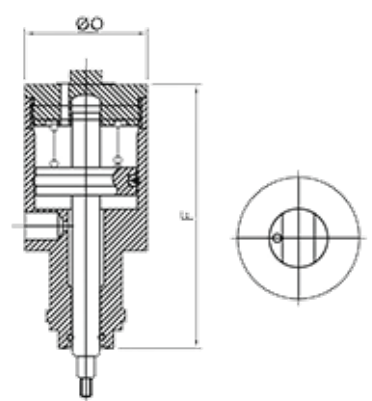
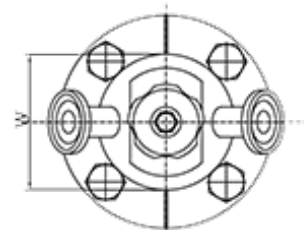
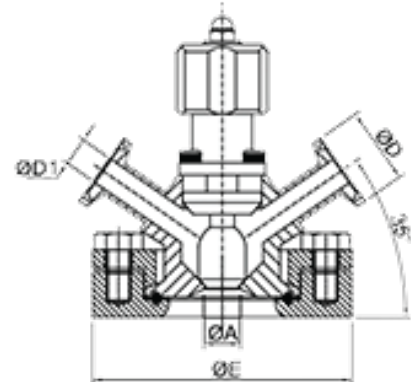
Type A



Type B



Type C



Sealing Systems

90 Kiffisias AV. 15 125 Marousi Athens
Greece

Tel. 030 - 2108764820

e-mail: info@sealingsystems.gr

www.sealingsystems.gr

